

Unique low profile design engineered for tight areas

Formed steel plate designed to fully encompass rack ends

Fast, simple installation

SPACE-SAVING RACK PROTECTOR

Space Saving Rack Protectors provide floor level protection to rack ends and require minimal space. The unique design allows the protector to be mounted on the outside of the rack end or on the inside of the rack end.

When mounted on the outside of the rack end, the Space Saving Rack Protector prevents damage to rack ends caused by forklifts or other moving equipment. The heavy duty, narrow profile protector takes up less than 1" of aisle space.

For inside applications, the Space Saving Rack Protector prevents damage to rack ends caused by pallets or other items being stored inside the rack bays. The narrow profile maximizes the amount of available storage room.

Space Saving Rack Protectors are available for 42" or 48" racks in both single and double ended styles. Special lengths or adaptations for seismic applications can be accommodated.

Features and Benefits

- Narrow profile and notched angles allow for protectors to fit closely to rack ends and minimize required floor space
- Space Saving Protectors are constructed of heavy duty steel floor angles securely welded to durable formed steel plate end pieces
- Highly visible, yellow powder coat painted steel units provide a visible, durable, and attractive finish
- Easy to install by anchoring with 3/4" diameter concrete wedge anchors (supplied as optional purchase)
- Usable in warehouses and plants at broad range of temperatures including freezers where temperatures are below 32° F.

Guarantee and Warranty

Personal and professional customer service is offered on all Handle-It™ products. Our Space-Saving Rack Protectors carry a two-year limited warranty on all materials and workmanship.



Single-ended rack protector (L)



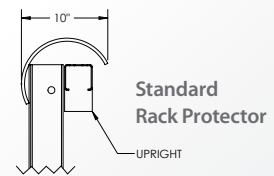
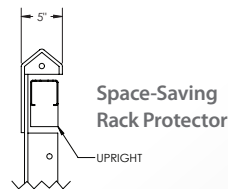
Single-ended rack protector (R)



Double-ended rack protector

No more wasted space.

The narrow profile of the protector takes up less than 1" of aisle space.

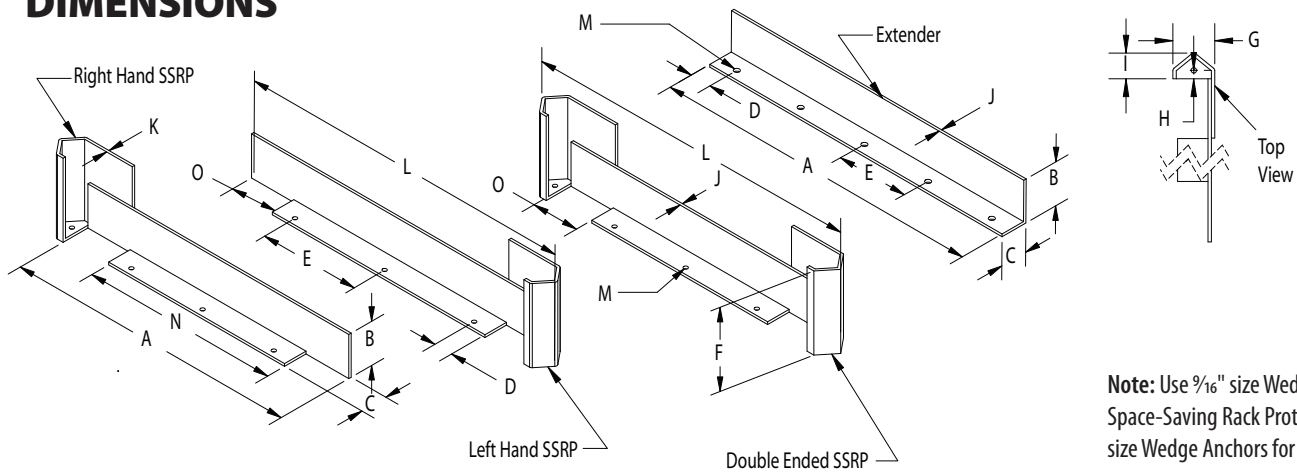


Areas of Installation

Space Saving Rack Protectors are designed to protect:

- Outside of rack ends when aisle space is limited
- Inside of rack ends when storing materials in rack bays

SPACE-SAVING RACK PROTECTOR DIMENSIONS



Note: Use 5/16" size Wedge Anchors for Space-Saving Rack Protectors. Use 3/4" size Wedge Anchors for Extenders

Dimensions (Inches)

Part	A	B	C	D	E	F	G	H	I	J	K	L	M	N	O	Number of Holes	Curve Location
IRP-42-HD	43	6.5	4	2.8	11.7	12	5	1	3	0.4	0.4	49	0.63	29	7	3	Both Sides
IRP-42LH-HD	43	6.5	4	2.8	11.7	12	5	1	3	0.4	0.4	46	0.63	29	7	3	Left
IRP-42RH-HD	43	6.5	4	2.8	11.7	12	5	1	3	0.4	0.4	46	0.63	29	7	3	Right
IRP-48-HD	49	6.5	4	2.8	14.8	12	5	1	3	0.4	0.4	55	0.63	35	7	3	Both Sides
IRP-48LH-HD	49	6.5	4	2.8	14.8	12	5	1	3	0.4	0.4	52	0.63	35	7	3	Left
IRP-48RH-HD	49	6.5	4	2.8	14.8	12	5	1	3	0.4	0.4	52	0.63	35	7	3	Right
RP-42EX-HD	43	6.5	4	5.8	10.5	N/A	N/A	N/A	N/A	0.4	N/A	43	0.85	N/A	N/A	4	No Curve
RP-48EX-HD	47.5	6.5	4	2.8	10.5	N/A	N/A	N/A	N/A	0.4	N/A	47.5	0.85	N/A	N/A	5	No Curve
RP-62EX-HD	62	6.5	4	4.8	10.5	N/A	N/A	N/A	N/A	0.4	N/A	62	0.85	N/A	N/A	6	No Curve

Custom sizes and lengths are available. Please consult factory.

Space-Saving Rack Protector Equipment Specification

To ensure proper protection consider the following:

- Measure overall length of area that is to be protected.
- Measure the size of rack foot plates and clear dimensions between the foot plates.
- Is this a single or double end application? (The exposure to traffic is the key factor.)
- Placing protection equipment as close as possible and still provide an adequate barrier in front of what you're protecting to achieve proper installation.

Protection equipment is used anywhere throughout the plant and warehouse. Key areas for these types of equipment are rack and shelving ends. The cost of the protection equipment is minimal when considering what is being protected and the cost to repair or replace it if it is damaged.