

Unique low profile design engineered for tight areas

Formed steel plate designed to fully encompass rack ends

Fast, simple installation



## INSIDE RACK PROTECTOR

### Features and Benefits

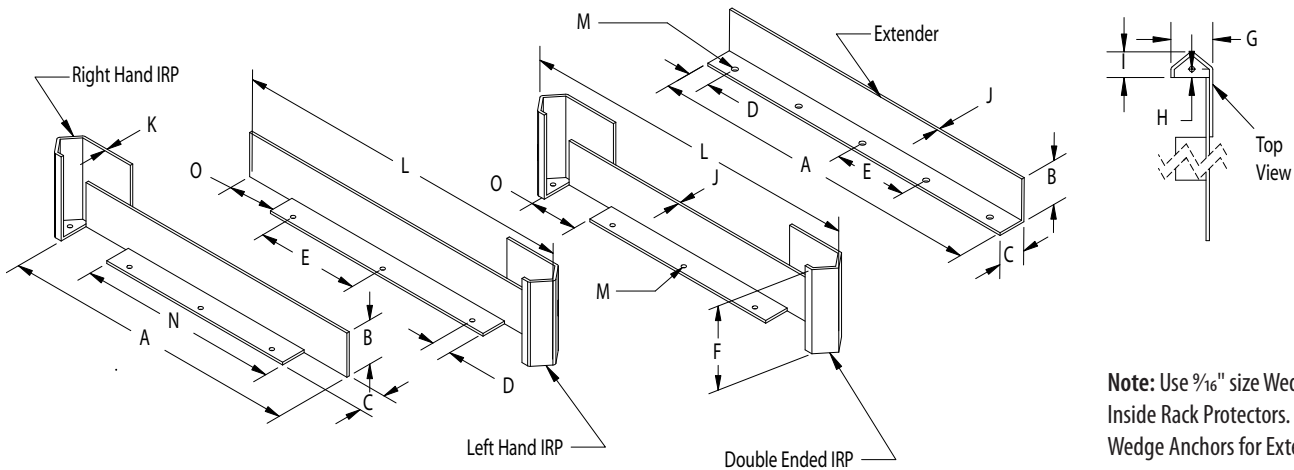
- Handle-It<sup>™</sup> Heavy Duty Steel Inside Rack Protectors protect rack uprights from powered and non-powered material handling equipment. This product provides a simple, inexpensive solution to the problem of protecting rack structures.
- High-visibility glossy yellow powder coat paint on steel not only protects the Rack Protector from paint chipping, it also offers a visible barrier between forklifts and rack structures. The Handle-It<sup>™</sup> Inside Rack Protector is easily installed by anchoring to the concrete floor through holes in the bottom rail of each right-hand or left-hand base angle with standard  $\frac{3}{4}$ " diameter wedge anchors (supplied as optional purchase).
- The durable Handle-It<sup>™</sup> Inside Rack Protectors, weighing 61 to 92 pounds each, hold up under forklift traffic around rack structures. Standard sizes are 46" to 55" overall length to fit around single rack structures 42" or 48" deep with a space between the end of the protector and the end of the rack. If complete enclosure is desired, the Rack Protector Extender (a 48" long matching heavy duty floor angle) can be field cut to the exact length needed.
- Handle-It<sup>™</sup> Inside Rack Protectors are constructed of heavy-duty steel floor angles securely welded to durable formed steel plate end pieces. The ends on each right-hand or left-hand protector fit closely around rack corners, taking up minimum aisle space while providing needed protection. Handle-It<sup>™</sup> Inside Rack Protectors are useable in warehouses and plants at a broad range of temperatures including freezers where temperatures are below 0°C.

### Guarantee and Warranty

Personal and professional customer service is offered on all Handle-It<sup>™</sup> products. Our Inside Rack Protectors carry a two-year limited warranty on all materials and workmanship.

**1-800-236-1080**  
[www.miequipment.com](http://www.miequipment.com)

## INSIDE RACK PROTECTOR DIMENSIONS



**Note:** Use 9/16" size Wedge Anchors for Inside Rack Protectors. Use 3/4" size Wedge Anchors for Extenders

Dimensions (Inches)

Part	A	B	C	D	E	F	G	H	I	J	K	L	M	N	O	Number of Holes	Curve Location
IRP-42-HD	43	6.5	4	2.8	11.7	12	4.5	1	3	0.4	0.4	49	0.63	29	7	3	Both Sides
IRP-42LH-HD	43	6.5	4	2.8	11.7	12	4.5	1	3	0.4	0.4	46	0.63	29	7	3	Left
IRP-42RH-HD	43	6.5	4	2.8	11.7	12	4.5	1	3	0.4	0.4	46	0.63	29	7	3	Right
IRP-48-HD	49	6.5	4	2.8	14.8	12	4.5	1	3	0.4	0.4	55	0.63	35	7	3	Both Sides
IRP-48LH-HD	49	6.5	4	2.8	14.8	12	4.5	1	3	0.4	0.4	52	0.63	35	7	3	Left
IRP-48RH-HD	49	6.5	4	2.8	14.8	12	4.5	1	3	0.4	0.4	52	0.63	35	7	3	Right
RP-42EX-HD	43	6.5	4	5.8	10.5	N/A	N/A	N/A	N/A	0.4	N/A	43	0.85	N/A	N/A	4	No Curve
RP-48EX-HD	47.5	6.5	4	2.8	10.5	N/A	N/A	N/A	N/A	0.4	N/A	47.5	0.85	N/A	N/A	5	No Curve
RP-62EX-HD	62	6.5	4	4.8	10.5	N/A	N/A	N/A	N/A	0.4	N/A	62	0.85	N/A	N/A	6	No Curve

Custom sizes and lengths are available. Please consult factory.

### Inside Rack Protector Equipment Specification

To ensure proper protection consider the following:

- Measure overall length of area that is to be protected.
- Is there a protruding object or other unusual configuration to measure? (Going around corners)
- Is this a single or double end application? (The exposure to traffic is the key factor.)
- Placing protection equipment as close as possible and still provide an adequate barrier in front of what you're protecting to achieve proper installation.

Protection equipment is used anywhere throughout the plant and warehouse. Key areas for these types of equipment are rack and shelving ends. The cost of the protection equipment is minimal when considering what is being protected and the cost to repair or replace it if it is damaged.