



12247 W FAIRVIEW AVE • MILWAUKEE, WI 53226 • PH(800)236-1080 • FAX (414)453-9975

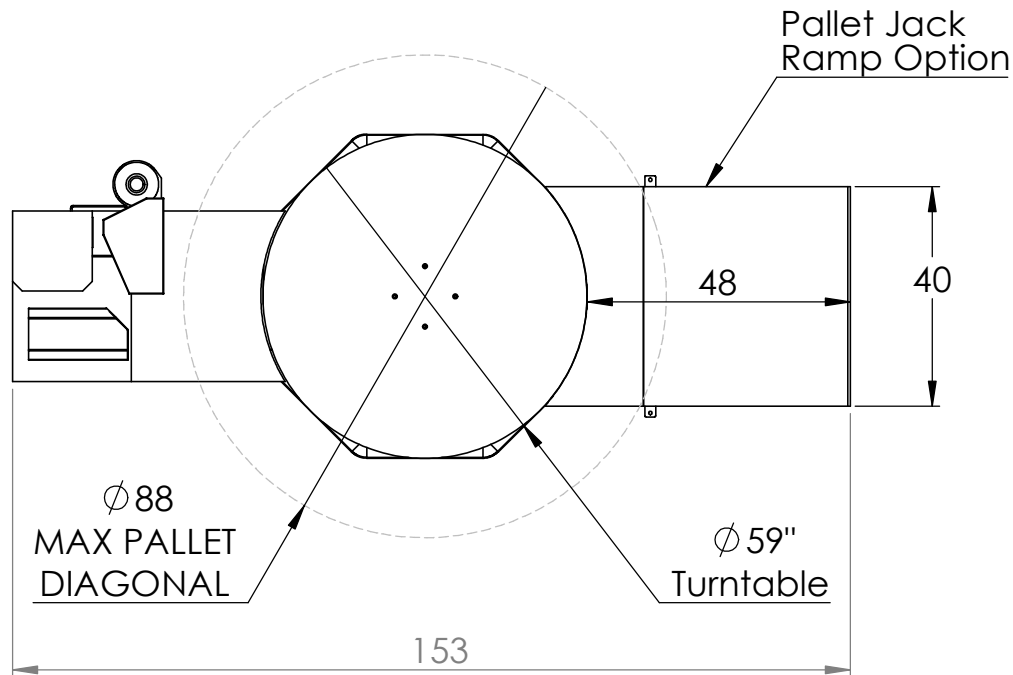
SWM-SA-1100AC

Max Capacity: 4400 lbs

Max Volume: 300 Pallets/Day

Weight: 900 lbs

Film Spec: 20" 70 ga Machine Film
w/ 3" Core



Integrated Scale Option:
Weighs Pallet Loaded on Machine
Adds 2.75" To OAH

Ramp Extension Option:
Powered Pallet Jacks
91" Long

Extended Height Option:
Increases Wrap Height to 118"

Extended Frame Option:
Increases Max Pallet Diagonal to 136"
OAL Increased to 128"

