

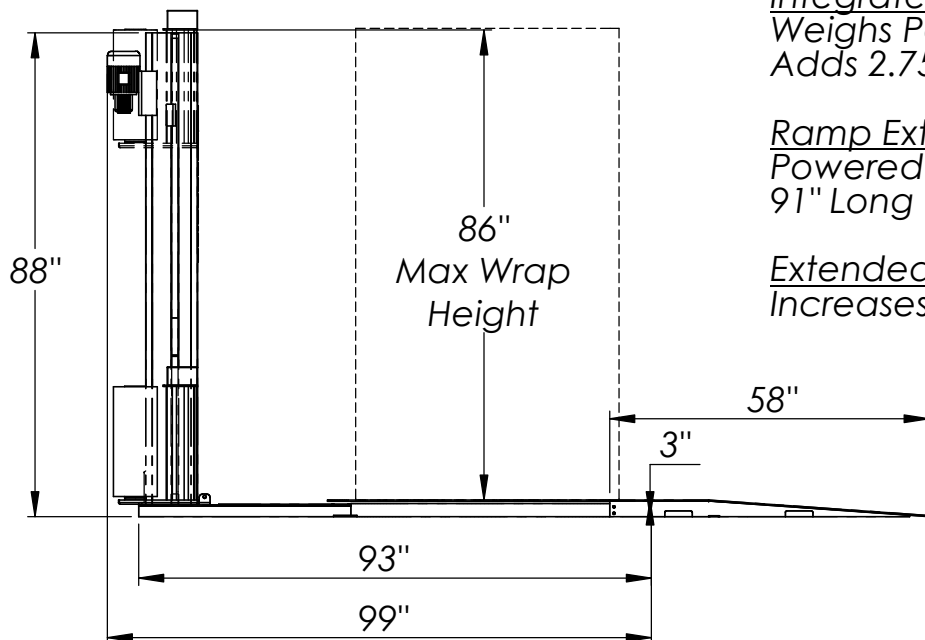
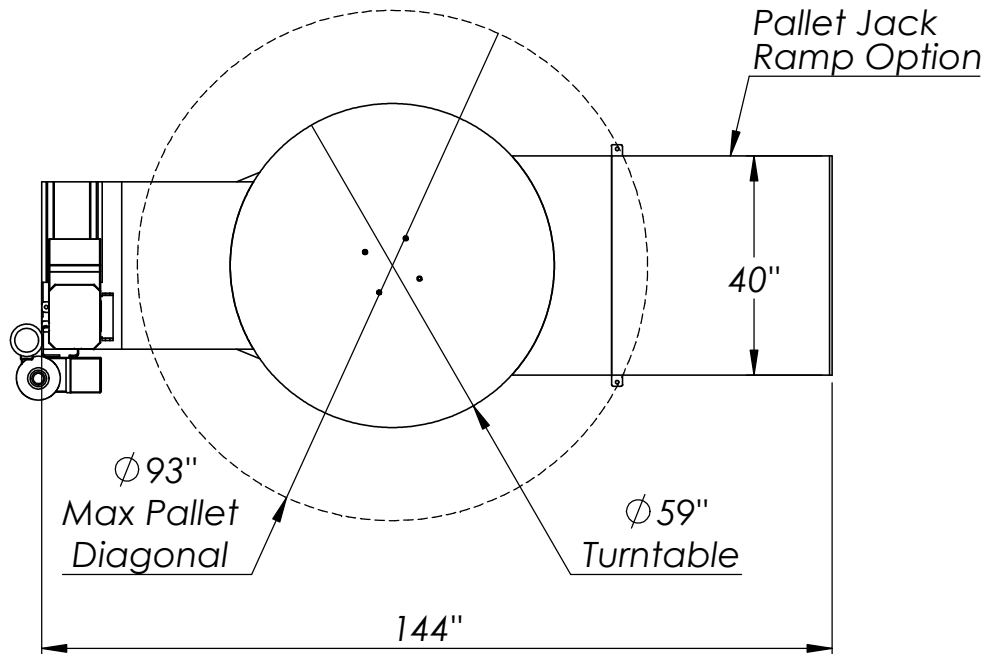
## SWM-SA-0800

Max Capacity: 4400 lbs

Max Volume: 100 Pallets/Day

Weight: 600 lbs

Film Spec: 20" 70ga Machine Film  
w/ 3" Core



Integrated Scale Option:  
Weighs Pallet Loaded on Machine  
Adds 2.75" To Overall Height

Ramp Extension Option:  
Powered Pallet Jacks  
91" Long

Extended Height Option:  
Increases Wrap Height to 98"

