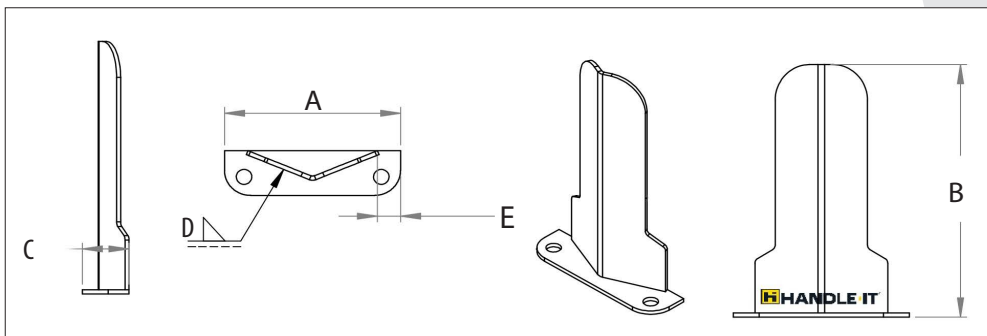


Handle-It® Shallow Profile Post Protectors are designed as economical protection for racking with non-standard size baseplates. These guards are a simple, 2-anchor design to deflect and protect.



FEATURES AND BENEFITS

- Handle-It® Post Protectors help prevent damage to rack uprights, shelving uprights, partitions, and many other factory and warehouse structures.
- Shallow Profile Post Protectors sit in front of the 3" vertical member to be protected, closely fitting-yet protecting-the upright from damage from collisions with forklifts or other moving vehicles.
- These 5mm thick steel protectors are easily mounted by securing to the concrete floor using two ½" diameter wedge anchors (sold separately).
- 12" & 18" standard heights.
- Powder coated Handle-It yellow for high visibility.



	A	B	C	D	E
Part	Overall Width	Overall Height	Guard Depth	Guard Thickness	Guard to Edge
P12-SP	8"	12"	2"	5mm	1.06"
P18-SP	8"	18"	2"	5mm	1.06"

