

The Handle-It® Model 850PS offers top-of-the-line functions and features at a great price. It is ideal for those who are looking for an efficient machine capable of handling moderate to high volumes of pallets per day. It comes standard with a 250% powered pre-stretch carriage to maximize your film usage.



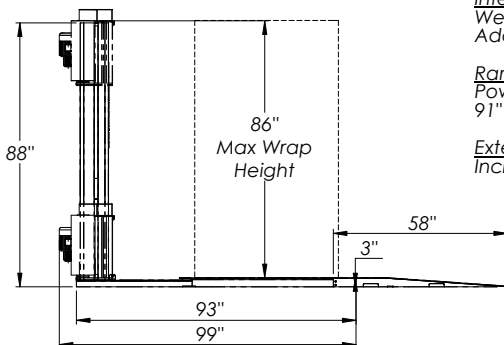
Efficient, Easy To Use, & Built To Last

250% Power Pre-Stretch Carriage

Wrap up to 30 pallets per hour

TECHNICAL SPECIFICATIONS

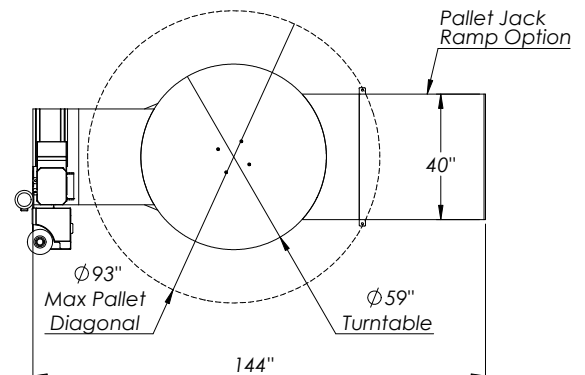
Wrap Height	86"
Turntable Diameter	59"
Max Pallet Size	48" x 80" (93" diagonal)
Turntable Height	3"
Weight Capacity	4,400 lbs.
Pre-Stretch	250% Powered
Power Supply	110V, 10 Amp
Total Machine Footprint	93" Long x 60" Wide
Machine Weight	600 lbs
Turntable Speed	13 RPM



*Integrated Scale Option:
Weighs Pallet Loaded on Machine
Adds 2.75" To Overall Height*

*Ramp Extension Option:
Powered Pallet Jacks
91" Long*

*Extended Height Option:
Increases Wrap Height to 98"*



PRODUCT SPECIFICATIONS

- Frequency controller for turntable speed adjustment (from 3 to 13 RPM)
- Frequency controller for carriage speed adjustment (speed going up and speed going down can be set differently)
- Powered film pre-stretch for up to 250% film efficiency
- Photocell for pallet height detection with photo eye delay
- Safety stop at the base of the carriage
- Stop at 0 position
- 2 access keys (including lock mode)
- Many parameters available at upper password level
- Reinforcing operation
- 3 working cycles: ascent/descent; topsheet; only ascent
- 9 wrap programs can be saved by the customer
- 9 additional recordable playback cycles can be saved
- 3 year warranty



Adjustable parameters by the control panel:

cycle selection, bottom turns, top turns, speed, carriage speed going up, carriage speed going down, and film tension.



Power pre-stretch film carriage (250%)

Simple film loading
Maximizes film efficiency
Digital control for consistent load containment.
Dynamic film feed to protect from crushing product, especially at corners.

AVAILABLE OPTIONS

- Integrated Scale
- Label Printer
- Loading Ramp
- Photocell for Dark Loads
- Extended height: 98"
- Forklift wheel stop
- Guarding
- Light Curtains



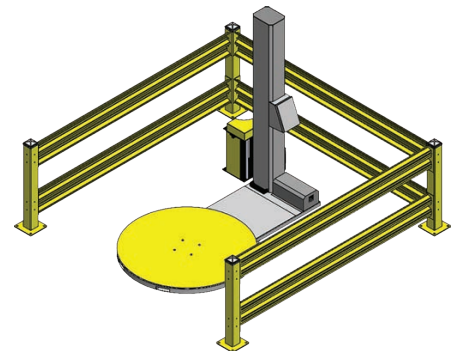
Integrated Scale



Forklift Wheel Stop



Ramp



3-sided guard rail package